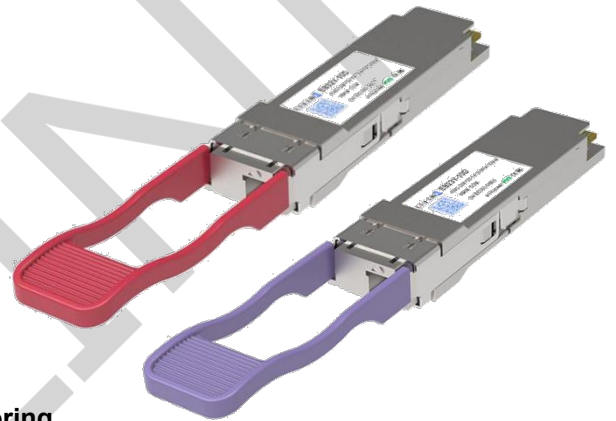


## EB23(32)Y-10D

100Gb/s QSFP28 BIDI LR1 10km DDM Transceiver

### PRODUCT FEATURES

- Lane signaling rate 106.25Gb/s with PAM4
- Up to 10km transmission on SMF
- EML Laser and PIN receiver
- 4x25.78Gb/s with NRZ electrical interface (CAUI-4)
- Support KP4 FEC inside the module
- High speed I/O electrical interface
- I2C interface with integrated Digital Diagnostic monitoring
- QSFP28 MSA package with simplex LC connector
- Single +3.3V power supply
- Power consumption <3.5 W
- Operating case temperature: 0 to +70 °C
- Compliant to SFF-8636&SFF-8679 standard
- Compliant to 100G Lambda MSA 100G-LR1 Optical Specifications
- Complies with EU Directive 2015/863/EU



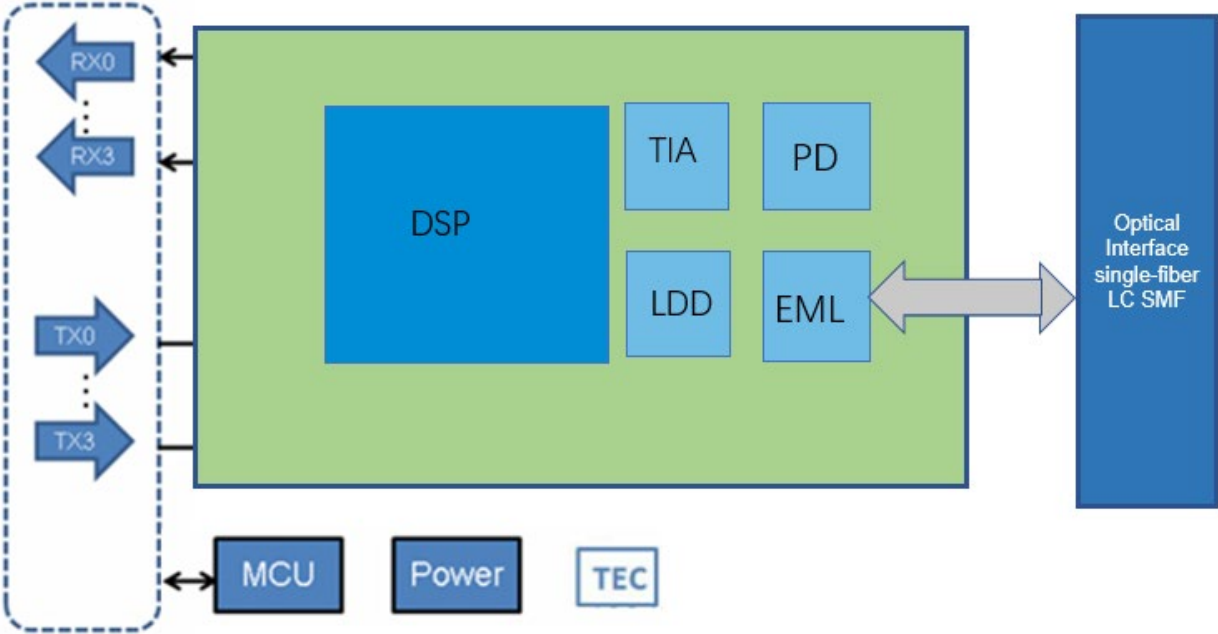
### APPLICATIONS

- Data Center
- 100GBASE-LR BIDI

**DESCRIPTIONS**

The 100G QSFP28 LR1 BIDI is designed for 10km optical communication applications. It is intended for the service with single mode fiber in 100Gb/s high speed data communications. The optical signals are multiplexed to a single-mode fiber through commercial standard LC connector.

**Module Block Diagram**



**Ordering Information**

Part No.	Data Rate(optical)	Laser	Fiber Type	Distance	Optical Interface	Temp	DDMI	Latch Color
EB23Y-10D	106.25Gbps	Tx1271/ Rx1331	SMF	10km	LC	0~70°C	Yes	Purple
EB32Y-10D	106.25Gbps	Tx1331/ Rx1271	SMF	10km	LC	0~70°C	Yes	Red

**Absolute Maximum Ratings**

Parameter	Symbol	Min.	Typical	Max.	Unit	Notes
Storage Temperature	T <sub>s</sub>	-40	-	+85	°C	
Supply Voltage	V <sub>cc</sub>	-0.5	-	+4.0	V	
Operating Relative Humidity	RH	-	-	+85	%	

**Recommended Operating Conditions**

Parameter	Symbol	Min.	Typical	Max.	Unit	Notes
Operating Case Temperature	T <sub>c</sub>	0	-	+70	°C	
Power Supply Voltage	V <sub>CC</sub>	3.13	3.3	3.47	V	
Power consumption	ICC			3.5	W	
Transmission Distance	TD	-	-	10	km	Over SMF

## Electrical Characteristics

Parameter	Symbol	Min.	Typical	Max.	Unit	Notes
<b>Transmitter (Module Input)</b>						
Input Differential Impedance	R <sub>in</sub>	-	100	-	Ohm	
Differential Data Input Amplitude	V <sub>IN,P-P</sub>		-	900	mVpp	
Differential termination mismatch (max)	D-mismatch	-	-	10	%	
DC common-mode input voltage		-0.3	-	2.8	V	
Transition time(20%~80%)	Tr Tf	10	-	-	ps	
LPMODE, Reset and ModSelL / Tx dis	V <sub>IL</sub>	-0.3	-	0.8	V	
LPMODE, Reset and ModSelL / Tx dis	V <sub>IH</sub>	2.0	-	V <sub>CC</sub> +0.3	V	
<b>Receiver (Module Output)</b>						
Output Differential Impedance	R <sub>out</sub>	-	100	-	Ohm	
Differential Data Output Amplitude	V <sub>OUTP-P</sub>	-	-	900	mVpp	
Differential termination mismatch (max)	D-mismatch	-	-	10	%	
Transition time, 20% to 80%	Tr Tf	12	-		ps	
ModPrsL and IntL/ Rx los	V <sub>OL</sub>	0	-	0.4	V	
ModPrsL and IntL/ Rx los	V <sub>OH</sub>	V <sub>CC</sub> -0.5	-	V <sub>CC</sub> +0.3	V	

## Optical and Characteristics

Parameter	Symbol	Min.	Typical	Max.	Unit	Notes
<b>Transmitter</b>						
Center Wavelength	CW	1264.5	1271	1277.5	nm	
		1324.5	1331	1337.5	nm	
Signaling Rate	SR			53.125	GBd	
Frequency Offset	Foffset	-100		100	ppm	
Average Launch Power	PTX	-1.4	-	4.5	dBm	1
Outer Optical Modulation Amplitude	OMA	0.7	-	4.7	dBm	1
Transmitter and dispersion eye closure for PAM4 (TDECQ) (max)	TDECQ	-	-	3.4	dBm	
Average Output Power (Laser Turn off)	Poff	-	-	-30	dBm	
Side Mode Suppression Ratio	SMSR	30	-	-	dB	
Extinction Ratio	ER	3.5	-	-	dB	
RIN_OMA	RIN	-	-	-136	dB/Hz	

Transmitter reflectance	Tref	-	-	-26	dB	
Optical Return Loss Tolerance	ORLT	-	-	15.6	dB	
<b>Receiver</b>						
Center Wavelength	CW	1324.5	1331	1337.5	nm	
		1264.5	1271	1277.5	nm	
Damage threshold	Pdamage	5.5	-	-	dBm	2
Average Rx Power	PRx	-7.7	-	4.5	dBm	3
Receive power _OMAouter	POMA	-	-	4.7	dBm	
Receiver sensitivity _OMAouter for TDECQ < 1.4 dB for 1.4 dB ≤ TDECQ ≤ 3.4 dB	SEN _OMA	-	-	-6.1 -7.5 + TDECQ	dBm	4
Reflectance	Ref	-	-	-26	dB	
Los Assert	LosA	-26	-		dBm	
Los De-Assert	LosDA	-	-	-10	dBm	
Los Hysteresis	LosH	0.5	-	-	dB	
Stressed receiver sensitivity _OMAouter	SRS	-	-	-4.1	dBm	5
Conditions of stressed receiver sensitivity teste :						
Stressed eye closure for PAM4 (SECQ)				3.4	dB	6
SECQ-10*IgCeq				3.4	dB	6

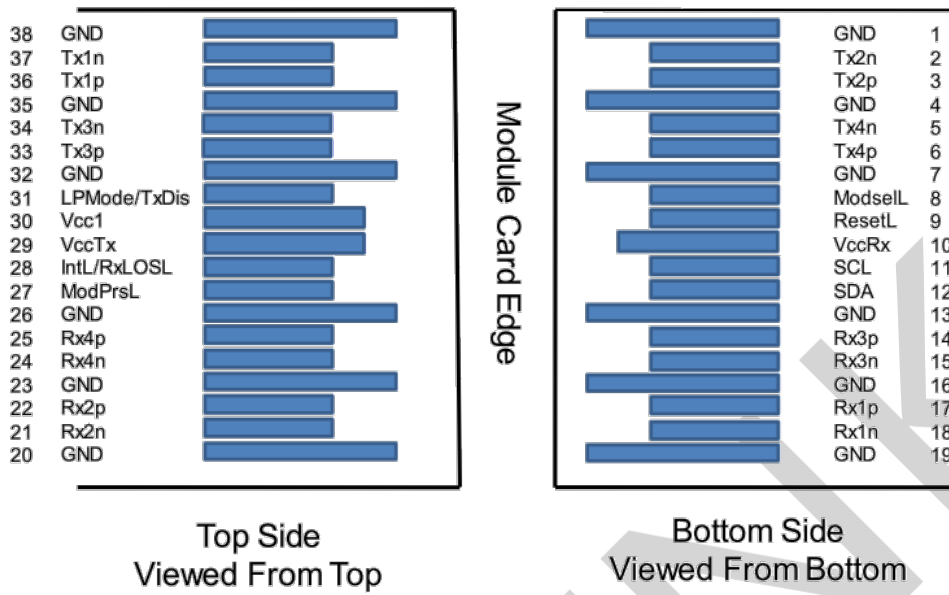
Notes:

- 1.The optical power is launched into SMF.
- 2.The receiver shall be able to tolerate, without damage, continuous exposure to an optical input signal having this average power level. The receiver does not have to operate correctly at this input power.
- 3.Average receive power, each lane (min) is informative and not the principal indicator of signal strength.
- 4.Measured with conformance test signal at TP3 using the test pattern PRBS31Q or scrambled idle for stressed receiver sensitivity for the BER= 2.4x10<sup>-4</sup>.
- 5.Measured with conformance test signal at TP3 (see3.11) for the BER specified in IEEE Std 802.3cu
- 6.Ceq is a coefficient defined in IEEE Std 802.3-2022 clause 121.8.5.3 which accounts for reference equalizer noise enhancement.

## Digital Diagnostics

Parameter	Range	Accuracy	Unit	Calibration
Temperature	0 to 70	±3	°C	Internal
Voltage	0 to Vcc	±3%	V	Internal
Tx Bias Current	0 to 100	±10%	mA	Internal
Tx Output Power	-1.4 to 4.5	±3	dB	Internal
Rx Input Power	-7.7 to 4.5	±3	dB	Internal

## Pin Diagram



## Pin Definitions

PIN	Logic	Symbol	Description	Plug Seq.	Notes
1		GND	Ground	1	1
2	CML-I	Tx2n	Transmitter Inverted Data Input	3	
3	CML-I	Tx2p	Transmitter Non-Inverted Data output	3	
4		GND	Ground	1	1
5	CML-I	Tx4n	Transmitter Inverted Data Input	3	
6	CML-I	Tx4p	Transmitter Non-Inverted Data output	3	
7		GND	Ground	1	1
8	LVTLL-I	ModSelL	Module Select	3	
9	LVTLL-I	ResetL	Module Reset	3	
10		VccRx	+ 3.3V Power Supply Receiver	2	2
11	LVC MOS-I/O	SCL	2-Wire Serial Interface Clock	3	
12	LVC MOS-I/O	SDA	2-Wire Serial Interface Data	3	
13		GND	Ground	1	
14	CML-O	Rx3p	Receiver Non-Inverted Data Output	3	
15	CML-O	Rx3n	Receiver Inverted Data Output	3	
16		GND	Ground	1	1
17	CML-O	Rx1p	Receiver Non-Inverted Data Output	3	
18	CML-O	Rx1n	Receiver Inverted Data Output	3	

19		GND	Ground	1	1
20		GND	Ground	1	1
21	CML-O	Rx2n	Receiver Inverted Data Output	3	
22	CML-O	Rx2p	Receiver Non-Inverted Data Output	3	
23		GND	Ground	1	1
24	CML-O	Rx4n	Receiver Inverted Data Output	3	1
25	CML-O	Rx4p	Receiver Non-Inverted Data Output	3	
26		GND	Ground	1	1
27	LVTTL-O	ModPrsL	Module Present	3	
28	LVTTL-O	IntL/Rx_LOS	Interrupt/Rx_LOS	3	3
29		VccTx	+3.3 V Power Supply transmitter	2	2
30		Vcc1	+3.3 V Power Supply	2	2
31	LVTTL-I	LPMode/TxDIS	Low Power Mode/Tx_Disable	3	3
32		GND	Ground	1	1
33	CML-I	Tx3p	Transmitter Non-Inverted Data Input	3	
34	CML-I	Tx3n	Transmitter Inverted Data Output	3	
35		GND	Ground	1	1
36	CML-I	Tx1p	Transmitter Non-Inverted Data Input	3	
37	CML-I	Tx1n	Transmitter Inverted Data Output	3	
38		GND	Ground	1	1

## Notes:

1. GND is the symbol for signal and supply (power) common for the QSFP28 module. All are common within the QSFP28 module and all module voltages are referenced to this potential unless otherwise noted. Connect these directly to the host board signal-common ground plane.
2. Vcc Rx, Vcc1 and Vcc Tx are the receiver and transmitter power supplies and shall be applied concurrently. Requirements defined for the host side of the Host Edge Card Connector are listed in MSA. The connector pins are each rated for a maximum current of 1000 mA.
3. Two Multi-Purpose Pin for supporting Tx\_DIS and Rx\_LOS function in the 100G QSFP28 LR1 BIDI module.

## Recommended Interface Circuit

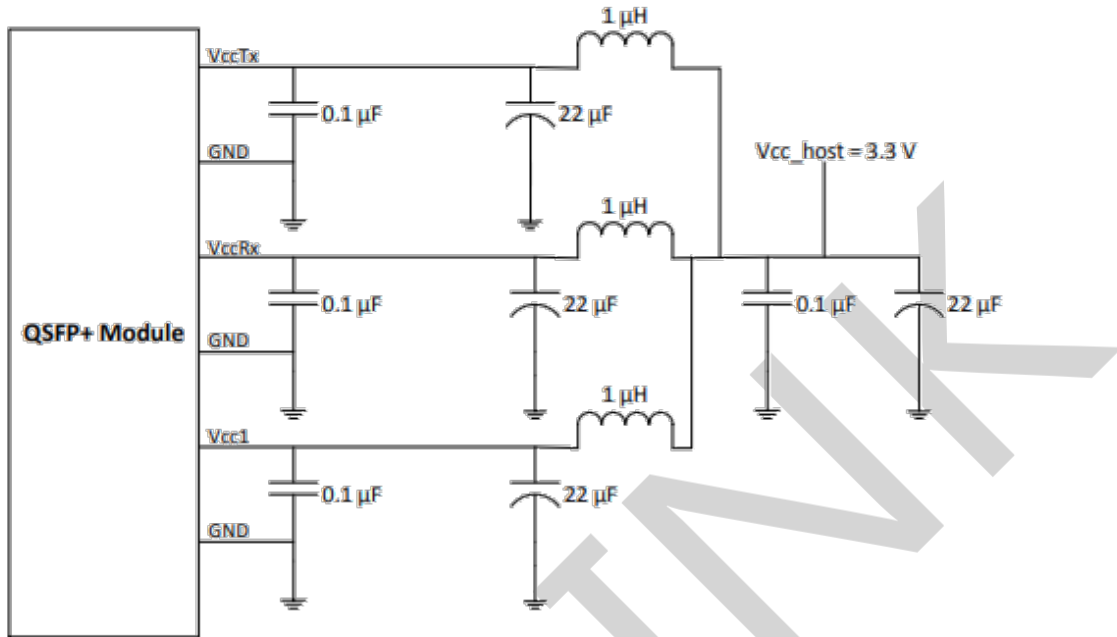
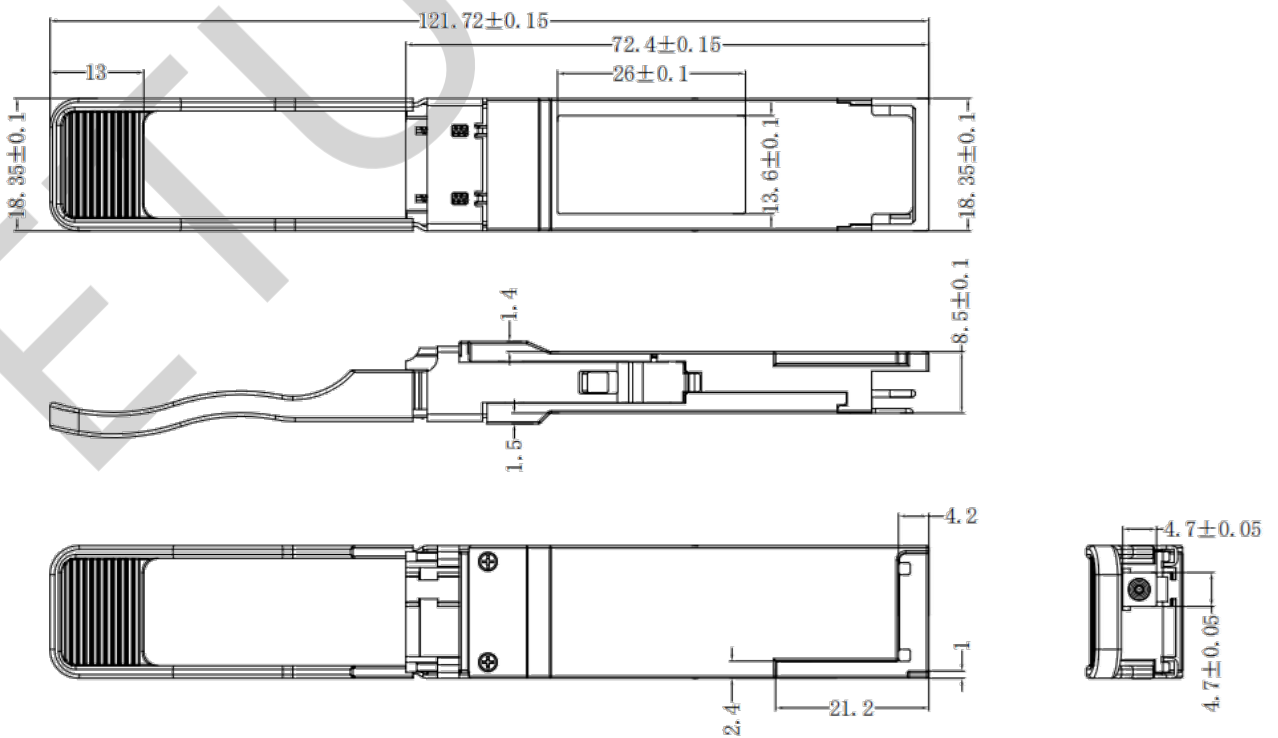


FIGURE 5-4 RECOMMENDED HOST BOARD POWER SUPPLY FILTERING

## Mechanical Diagram



## Revision History

Version No.	Date	Description
1.0	February 4, 2022	Preliminary datasheet
1.1	Nov 16,2023	New solution version
1.2	Aug 20,2024	Format change

Company: ETU-Link Technology Co., LTD

Production base: Right side of 3rd floor, No. 102 building, Longguan expressway, Dalang street, Longhua District, Shenzhen city, Guangdong Province, China 518109

R&D base: Floor 4, Building 4, Nanshan Yungu Phase LI, Taoyuan Community, Xili Street, Nanshan District, Shenzhen

Tel: +86-755 2328 4603

Addresses and phone number also have been listed at [www.etulinktechnology.com](http://www.etulinktechnology.com).

Please e-mail us at [sales@etulinktechnology.com](mailto:sales@etulinktechnology.com) or call us for assistance.