

## EB45(54)X-80D(I)

### 10Gb/s SFP+ BIDI 80km DDM Transceiver

#### PRODUCT FEATURES

- Support data rate up to 11.3Gb/s
- Hot-Pluggable SFP Footprint and Single LC Connector
- Up to 80km reach for G.652 SMF
- 1490nm EML Transmitter and 1550 APD receiver for EB45X-80D(I)
- 1550nm EML Transmitter and 1490 APD receiver for EB54X-80D(I)
- Temperature Range:
  - Commercial: 0°C ~70°C
  - Industrial: -40°C ~85°C
- Power consumption:
  - Commercial: 1.5W
  - Industrial: 1.8W
- Compliant with SFP-8431
- Compliant with SFP-8432
- Compliant with SFP-8472
- Compliant with IEEE802.3ae
- RoHS 6 compliance
- Complies with EU Directive 2015/863/EU



#### APPLICATIONS

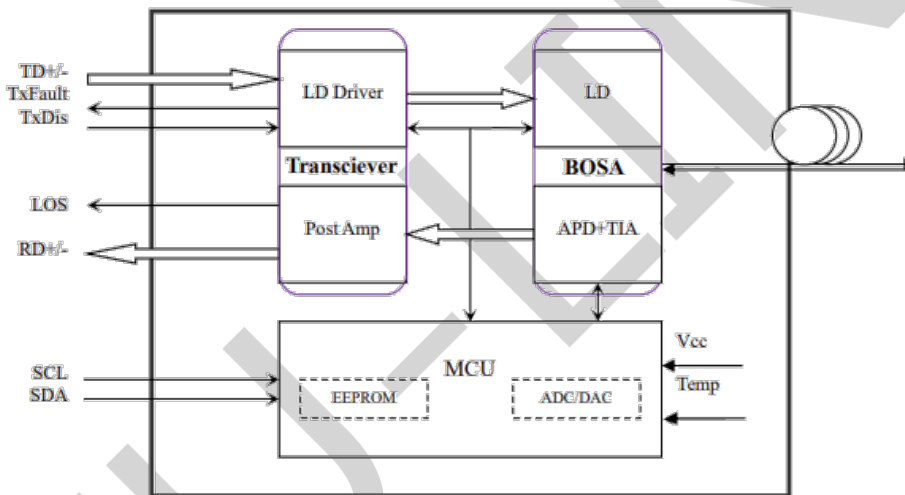
- 10GBASE-LR at 10.3125Gbps
- 10GBASE-LW at 9.953Gbps
- Other Optical Links

## DESCRIPTIONS

The EB45(54)X-80D(I) series single mode transceiver is small form factor pluggable module for duplex optical data communications such as 10GBASE-LR defined by IEEE 802.3. The EB45(54)X-80D(I) module is designed for single mode fiber and operates at a nominal wavelength of 1490nm or 1550nm; the transmitter section uses a multiple quantum well EML, which is class 1 laser compliant according to International Safety Standard IEC-60825.

The SFP+ 80km module electrical interface is compliant to SFI electrical specifications. The transmitter input and receiver output impedance is 100 Ohms differential. Data lines are internally AC coupled. The module provides differential termination and reduce differential to common mode conversion for quality signal termination and low EMI.

## Module Block Diagram



## Ordering Information

| Part No.   | Data Rate(optical) | Laser | Fiber Type | Distance | Optical Interface | Temp     | DDMI | Latch Color |
|------------|--------------------|-------|------------|----------|-------------------|----------|------|-------------|
| EB45X-80D  | 10.3125Gbps        | EML   | SMF        | 80km     | LC                | 0~70°C   | Y    | Purple      |
| EB54X-80D  | 10.3125Gbps        | EML   | SMF        | 80km     | LC                | 0~70°C   | Y    | Yellow      |
| EB45X-80DI | 10.3125Gbps        | EML   | SMF        | 80km     | LC                | -40~85°C | Y    | Purple      |
| EB54X-80DI | 10.3125Gbps        | EML   | SMF        | 80km     | LC                | -40~85°C | Y    | Yellow      |

## Absolute Maximum Ratings

| Parameter                              | Symbol           | Min. | Typical | Max. | Unit |
|--|------------------|------|---------|------|------|
| Storage Temperature                    | T <sub>stg</sub> | -40  |         | +85  | °C   |
| Case Operating Temperature(Commercial) | T <sub>o</sub>   | 0    |         | 70   | °C   |

## Optical Communications Products Alliance

|   |          |     |  |     |                    |
|---|----------|-----|--|-----|--------------------|
| Case Operating Temperature (Industrial) | $T_O$    | -40 |  | 85  | $^{\circ}\text{C}$ |
| Relative Humidity - Storage             | $R_{HS}$ | 5   |  | 95  | %                  |
| Relative Humidity - Operating           | $R_{HO}$ | 5   |  | 85  | %                  |
| DC Supply Voltage                       | $V_{CC}$ | 0   |  | 3.6 | V                  |

## Recommended Operating Conditions

| Parameter                  | Symbol   | Min. | Typical | Max. | Unit               | Notes      |
|----------------------------|----------|------|---------|------|--------------------|------------|
| Case Operating Temperature | $T_{Op}$ | 0    | -       | 70   | $^{\circ}\text{C}$ | Commercial |
|                            |          | -40  |         | 85   |                    | Industrial |
| Power Supply Voltage       | $V_{CC}$ | 3.13 | 3.3     | 3.47 | V                  |            |
| Transmission Distance      | TD       | -    | -       | 80   | km                 | Over SMF   |

## Electrical Characteristics

High-Speed Signal: Compliant to CEI-11G-SR

Low-Speed Signal: Compliant to SFF-8431

| Parameter                                    | Symbol           | Min.     | Typical | Max.  | Unit         | Notes      |  |
|--|------------------|----------|---------|-------|--------------|------------|--|
| Supply Voltage                               | $V_{CC}$         | 3.135    |         | 3.465 | V            |            |  |
| Supply Current                               | $I_{CC}$         |          |         | 450   | mA           | Commercial |  |
|  |                  |          |         | 540   |              | Industrial |  |
| Power Consumption                            | P                |          |         | 1.5   | W            | Commercial |  |
|  |                  |          |         | 1.8   |              | Industrial |  |
| <b>Transmitter (Module Input)</b>            |                  |          |         |       |              |            |  |
| Differential Input Resistance                | $R_{R_{din}}$    | 80       | 100     | 120   | $\Omega$     |            |  |
| Input Differential Voltage                   | $R_{V_{diff}}$   | 110      | -       | 1050  | mVpp         |            |  |
| Tx_Disable                                   | Normal Operation | $V_{IL}$ | -0.3    | -     | 0.8          | V          |  |
|  | Laser Disable    | $V_{IH}$ | 2.0     | -     | $V_{CC}+0.3$ | V          |  |
| <b>Receiver (Module Output)</b>              |                  |          |         |       |              |            |  |
| Differential Resistance                      | $T_{R_d}$        | 80       | 100     | 120   | Ohm          |            |  |
| Output Differential Voltage                  | $T_{V_{diff}}$   | 360      | -       | 770   | mVpp         |            |  |
| Differential Termination Resistance Mismatch | $T_{R_{dm}}$     | -        | -       | 5     | %            |            |  |
| Rx los                                       | Normal Operation | $V_{OL}$ | -0.3    | -     | 0.4          | V          |  |
|  | Loss Signal      | $V_{OH}$ | 2       |       | $V_{CC}HOST$ | V          |  |

## Optical and Characteristics

| Parameter            | Symbol | Min. | Typical | Max. | Unit | Notes |
|----------------------|--------|------|---------|------|------|-------|
| <b>Transmitter</b>   |        |      |         |      |      |       |
| Average Output Power | POUT   | -1   |         | 4    | dBm  | 1     |

## Optical Communications Products Alliance

|                                   |                          |      |      |      |      |       |              |
|-----------------------------------|--------------------------|------|------|------|------|-------|--------------|
| Average Output Power(Laser Off)   | POFF                     |      |      |      | -30  | dBm   |              |
| Wavelength                        | $\lambda$                | 1480 | 1490 | 1500 | nm   |       | EB45X-80D(I) |
|                                   |                          | 1540 | 1550 | 1560 |      |       | EB54X-80D(I) |
| Spectrum Bandwidth @ -20dB        | $\Delta\lambda$          |      |      |      | 1    | nm    |              |
| Side mode suppression ratio(SMSR) | SMSR                     | 30   |      |      |      | dB    |              |
| Extinction ratio                  | ER                       | 8.2  |      |      |      | dB    |              |
| RIN <sub>20OMA</sub>              | RIN                      |      |      |      | -128 | dB/Hz | 2            |
| <b>Receiver</b>                   |                          |      |      |      |      |       |              |
| Wavelength                        | $\lambda$                | 1540 | 1550 | 1560 | nm   |       | EB45X-80D(I) |
|                                   |                          | 1480 | 1490 | 1500 |      |       | EB54X-80D(I) |
| Received Sensitivity              | P <sub>IN</sub>          |      |      |      | -23  | dBm   | 3            |
| Optical Power Overload            | P <sub>IN</sub><br>(SAT) | -6   |      |      |      | dBm   |              |
| Rx_LOS of Signal Assert           | P <sub>A</sub>           | -38  |      |      |      | dBm   |              |
| Rx_LOS of Signal De-assert        | P <sub>D</sub>           |      |      |      | -24  | dBm   |              |
| Rx_LOS of Signal Hysteresis       | PH <sub>y</sub>          | 0.5  |      |      | 6    | dB    |              |

Notes:

1. Output is coupled into a 9/125um SMF.
2. 12dB reflection.
3. Measured with worst ER, BER less than 1E-12 and PRBS 2<sup>31</sup>-1 at 10.3125Gbps.

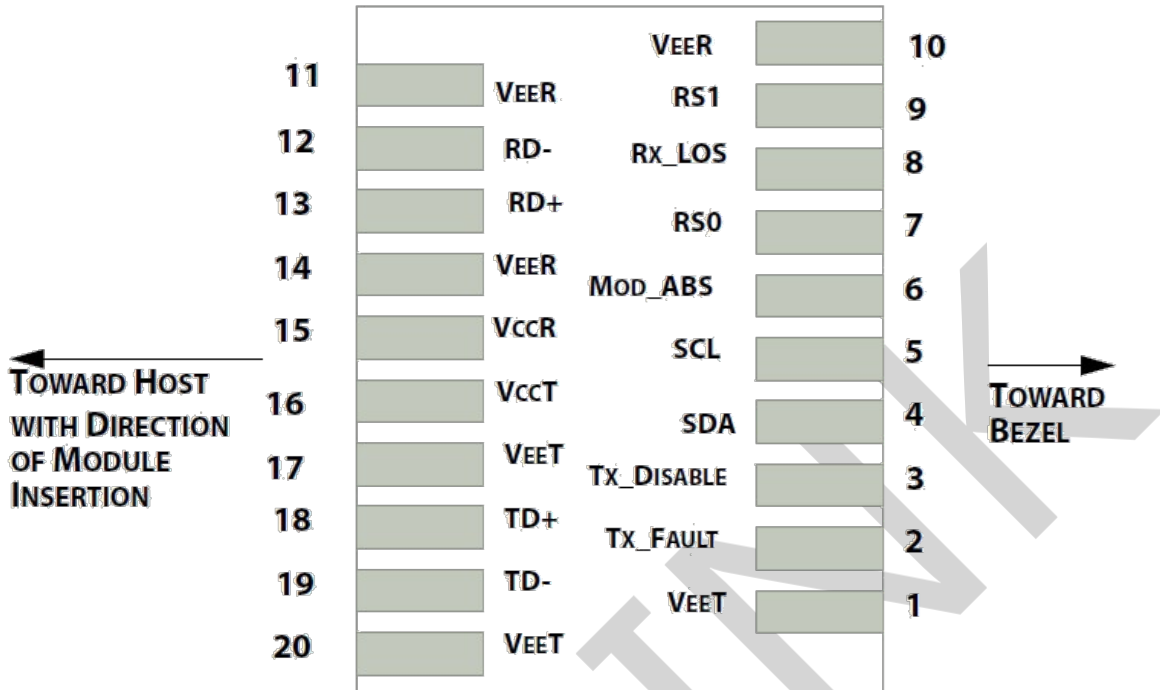
## Digital Diagnostics

| Parameter       | Range                | Accuracy | Unit | Calibration |
|-----------------|----------------------|----------|------|-------------|
| Temperature     | -40 to 85            | ±3       | °C   | Internal    |
| Voltage         | 0 to V <sub>cc</sub> | ±3%      | V    | Internal    |
| Tx Bias Current | 0 to 100             | ±10%     | mA   | Internal    |
| Tx Output Power | -1 to 4              | ±3       | dB   | Internal    |
| Rx Input Power  | -24 to 0.5           | ±3       | dB   | Internal    |

## Communication Interface Timing Characteristics

| Parameter                                    | Symbol                | Min. | Typical | Max. | Unit | Notes |
|--|-----------------------|------|---------|------|------|-------|
| TX_Disable Assert Time                       | t <sub>off</sub>      |      |         | 100  | us   |       |
| TX_Disable Negate Time                       | t <sub>on</sub>       |      |         | 2    | ms   |       |
| Time to Initialize Include Reset of TX_FAULT | t <sub>int</sub>      |      |         | 300  | ms   |       |
| TX_FAULT from Fault to Assertion             | t <sub>fault</sub>    |      |         | 100  | us   |       |
| TX_Disable Time to Start Reset               | t <sub>reset</sub>    | 10   |         |      | us   |       |
| Receiver Loss of Signal Assert Time          | T <sub>A,RX_LOS</sub> |      |         | 100  | us   |       |
| Receiver Loss of Signal Deassert Time        | T <sub>d,RX_LOS</sub> |      |         | 100  | us   |       |
| Rate-Select Chage Time                       | t <sub>ratesel</sub>  |      |         | 10   | us   |       |

## Pin Diagram



## Pin Definitions

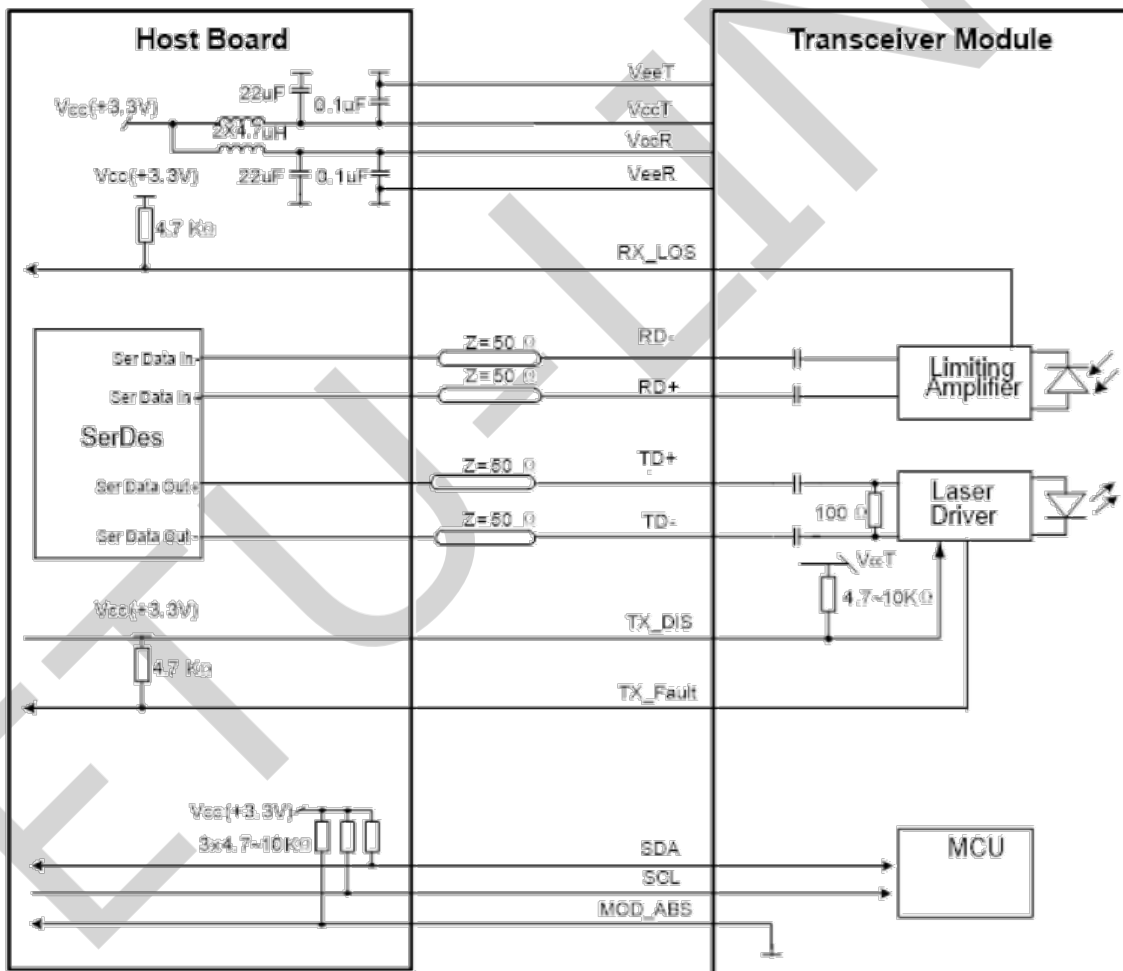
| PIN # | Name       | Function  | Notes |
|-------|------------|---|-------|
| 1     | VeeT       | Module transmitter ground   | 1     |
| 2     | Tx Fault   | Module transmitter fault  | 2     |
| 3     | Tx Disable | Transmitter Disable; Turns off transmitter laser output   | 3     |
| 4     | SDL        | 2 wire serial interface data input/output (SDA)   | 4     |
| 5     | SCL        | 2 wire serial interface clock input (SCL)   | 4     |
| 6     | MOD-ABS    | Module Absent, connect to VeeR or VeeT in the module  | 4     |
| 7     | RS0        | Rate select0, optionally control SFP+ receiver. When high, input data rate >4.5Gb/ s; when low, input data rate <=4.5Gb/s   | 5     |
| 8     | LOS        | Receiver Loss of Signal Indication  | 6     |
| 9     | RS1        | Rate select0, optionally control SFP+ transmitter. When high, input data rate >4.5Gb/s; when low, input data rate <=4.5Gb/s | 1     |
| 10    | VeeR       | Module receiver ground  | 1     |
| 11    | VeeR       | Module receiver ground  | 1     |
| 12    | RD-        | Receiver inverted data output   |       |
| 13    | RD+        | Receiver non-inverted data output   |       |
| 14    | VeeR       | Module receiver ground  | 1     |
| 15    | VccR       | Module receiver 3.3V supply   |       |
| 16    | VccT       | Module transmitter 3.3V supply  |       |
| 17    | VeeT       | Module transmitter ground   | 1     |
| 18    | TD+        | Transmitter inverted data output  |       |

|    |      |                                      |   |
|----|------|--------------------------------------|---|
| 19 | TD-  | Transmitter non-inverted data output |   |
| 20 | VeeT | Module transmitter ground            | 1 |

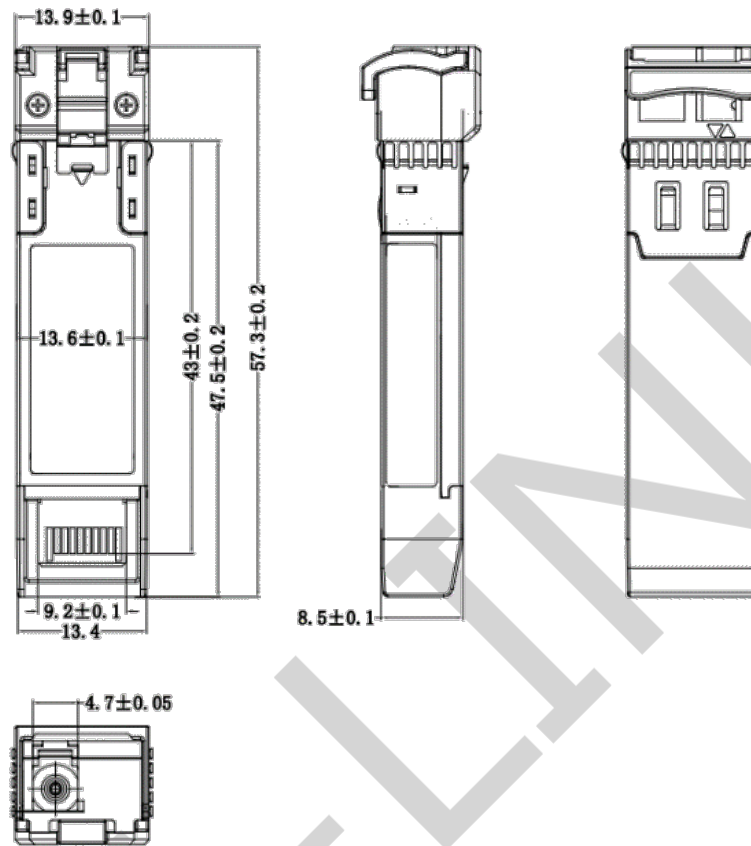
Notes:

1. Circuit ground is internally isolated from chassis ground
2. Tx FAULT is an open collector/drain output, which should be pulled up with a 4.7k – 10k Ohms resistor on the host board if intended for use. Pull up voltage should be between 2.0V to Vcc + 0.3V. A high output indicates a transmitter fault caused by either the TX bias current or the TX output power exceeding the preset alarm thresholds. A low output indicates normal operation. In the low state, the output is pulled to <0.8V.
3. Laser output disabled on Tx DIS >2.0V or open, enabled on Tx DIS <0.8V.
4. Should be pulled up with 4.7kΩ- 10kΩ host board to a voltage between 2.0V and 3.6V. MOD\_ABS pulls line low to indicate module is plugged in.
5. Internally pulled down per SFF-8431 Rev 4.1.
6. LOS is open collector output. It should be pulled up with 4.7kΩ – 10kΩ on host board to a voltage between 2.0V and 3.6V. Logic 0 indicates normal operation; logic 1 indicates loss of signal.

Recommended Interface Circuit



## Mechanical Diagram



## Revision History

| Version No. | Date         | Description           |
|-------------|--------------|-----------------------|
| 1.0         | Oct 22, 2016 | Preliminary datasheet |
| 2.0         | July 8, 2020 | Product upgrades      |
| 3.0         | Aug 27, 2024 | Format change         |

Company: ETU-Link Technology Co., LTD

Production base: Right side of 3rd floor, No. 102 building, Longguan expressway, Dalang street, Longhua District, Shenzhen city, Guangdong Province, China 518109

R&D base: Floor 4, Building 4, Nanshan Yungu Phase LI, Taoyuan Community, Xili Street, Nanshan District, Shenzhen

Tel: +86-755 2328 4603

Addresses and phone number also have been listed at [www.etulinktechnology.com](http://www.etulinktechnology.com).

Please e-mail us at [sales@etulinktechnology.com](mailto:sales@etulinktechnology.com) or call us for assistance.